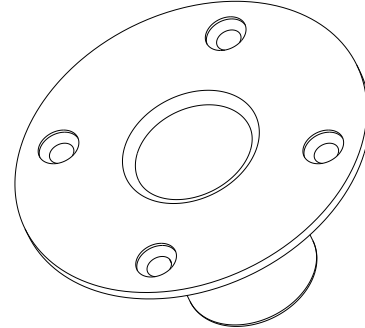


## Product Information

Product Colour	Black (RAL 9011)/ White (RAL 9016)
SKU	WS12-FA-B / WS12-FA-W
EAN	697079020 046 7 / 697079020 045 1



## Product Overview

The Evoson WS12-FA Top Hat Socket builds in to the base of the WS12 loudspeaker cabinet and allows the speaker to be securely mounted on a speaker stand.

The base plate of the loudspeaker is removed and the top hat socket can be inserted and secured using four fixing points. The adapter can then be used with speaker stands with a maximum tube diameter of 35mm. The speaker stand is not included.

The adapter material is durable welded iron sheet finished with electrostatic spray. This versatile mounting solution is ideal for use in temporary installations, in venues where the interior layout and audio set-up frequently change, or applications where wall and ceiling mounting are not possible.

## Technical Specifications

### Product Features

Built in Depth	80 mm	
Max Load	35 kg	
Material	Steel	
Colour	Black	White
Compatibility	WS12 Loudspeaker Cabinet	

*Evoson reserves the right to change technical specifications and product characteristics without prior notice; this is part of our continued efforts to improve our product range.*

# Socket Technical Drawings

